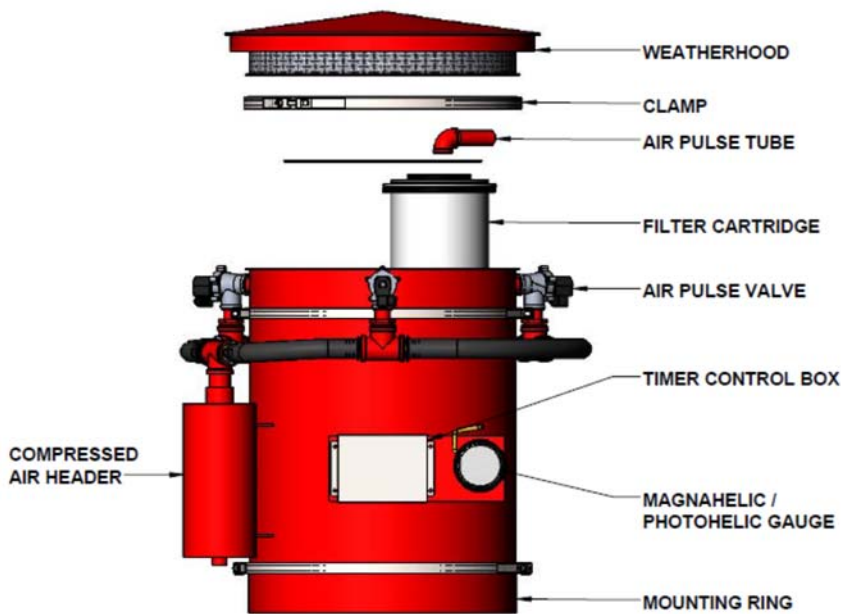


# Compact Bin Vent Round

The **Dense Flow Round Bin Vent** features a compact design, and is capable of handling flow rates up to 3000 CFM.



Each bin vent is designed with a minimum of 3 filter cartridges made with a spun bond media and a PTFE membrane. The filter cartridges are 99.997% efficient to 1 micron, and have a MERV rating of 16.

The cartridges are cleaned with an air pulse cleaning system that individually pulses air through each cartridge at specific timed intervals. The cartridges feature a wide pleat design that allows for more effective cartridge cleaning, which translates into cartridges having a longer, more efficient lifespan.

## Features

- Compact Design
- Air Pulse Cleaning
- SB Cartridges W/ PTFE
- Wide Pleat Cartridge
- Fast Cartridge Removal

## Benefits

- 99.997% Efficiency
- 16 MERV Rating
- Less Downtime
- Lower Maintenance Costs

## Applications

- Dense Phase Conveying
- Dilute Phase Conveying
- Truck Unload
- Mechanical conveying