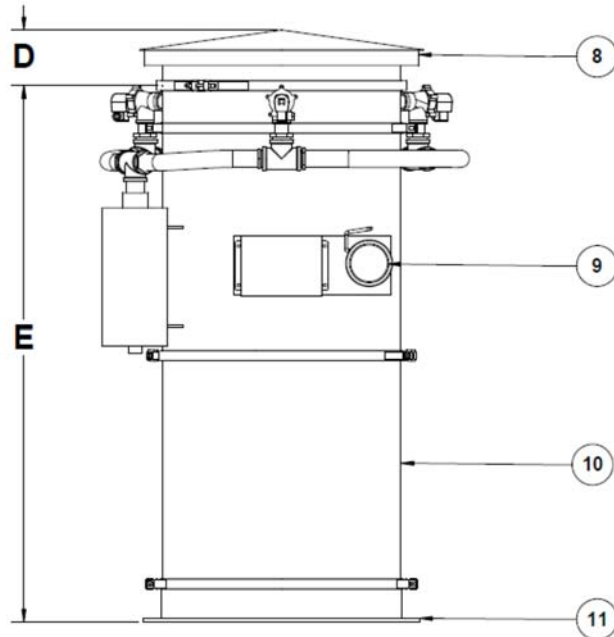


ITEM	DESCRIPTION
1	V CLAMP
2	DIAPHRAM VALVE W/ SOLENOID
3	HOUSING
4	TIMER CONTROL PANEL
5	MOUNTING RING
6	FILTER CARTRIDGE
7	COMPRESSED AIR HEADER

ITEM	OPTIONAL
8	WEATHERPROOFING
9	MAGNAHELIC GAUGE
9	PHOTOHELIC GAUGE
10	BODY EXTENSION
11	FLANGED MOUNTING RING
N/A	FAN



MODEL	DIM. "A"	DIM. "B"	DIM. "C"	DIM. "D"	DIM. "E"	SQ. FT. OF CLOTH	HD MODELS SQ. FT. OF CLOTH
DF110R	31"	N/A	24"	6"	N/A	108	N/A
DF210R	N/A	N/A	24"	6"	55"	208	375
DF210RS	31"	22"	24"	6"	N/A	208	375
DF280R	N/A	N/A	30"	6"	55"	278	500
DF280RS	31"	22"	30"	6"	N/A	278	500
DF560R	N/A	N/A	40"	6"	55"	554	1000
DF560RS	31"	22"	40"	6"	N/A	554	1000

**Proprietary  
And Confidential**

The information contained within this drawing is the sole property of JDB Dense Flow. Any reproduction in part or as a whole without the written permission of JDB Dense Flow is prohibited.

**COMPACT BIN VENT (R)**

Data Sheet

**DCBV 6:10**